

4

3

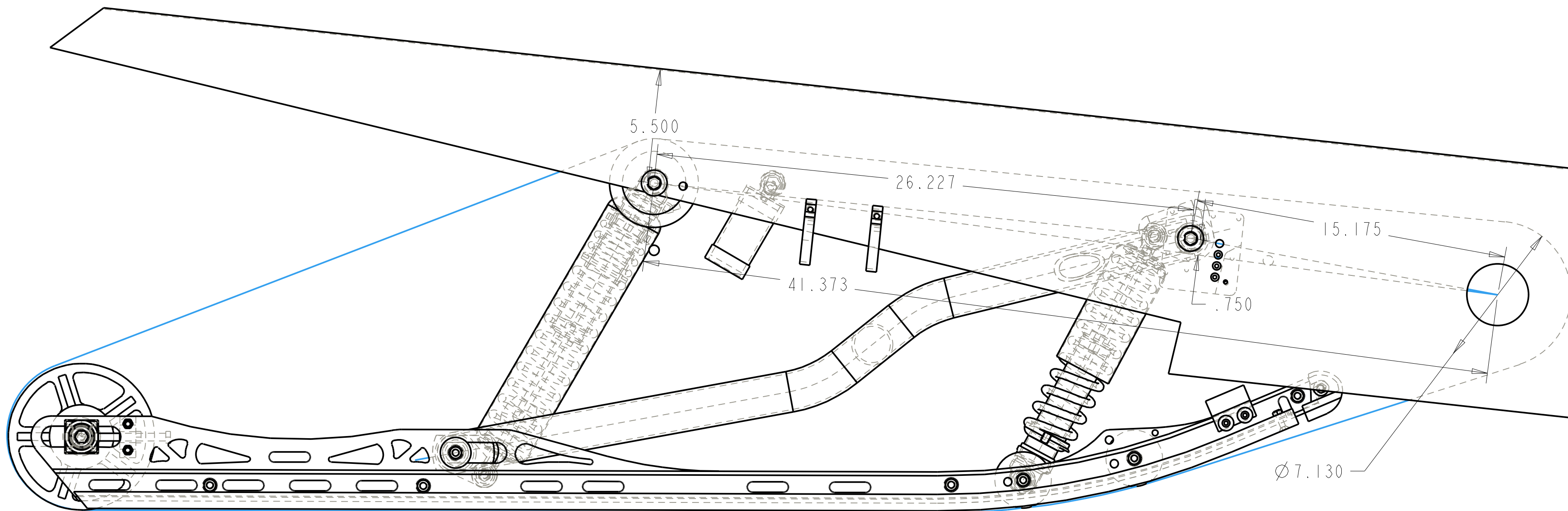
2


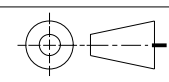
1

- PROPRIETARY -

THIS DOCUMENT CONTAINS CONFIDENTIAL PROPRIETARY INFORMATION THAT IS GLSV / EZ-RYDE PROPERTY. DO NOT DUPLICATE OR DISCLOSE TO A THIRD PARTY WITHOUT WRITTEN CONSENT BY GLSV / EZ-RYDE.

2009 163" EZ RYDE 2008 SKI DOO XP WITH AN 8 TOOTH DRIVE



TOLERANCES UNLESS OTHERWISE NOTED			MATERIAL	QTY
DECIMAL PLACE	METRIC (mm)	ENGLISH (INCH)	 GREAT LAKES SOUND AND VIBRATION 47140 N. Main Street, Houghton, MI PH: 906-482-7535	EZ-RYDE CMM
X	± 1.5	± 0.06		
X.X	± 0.8	± 0.03		
X.XX	± 0.4	± 0.015		
X.XXX	± 0.127	± 0.005		
X.XXXX	± 0.0127	± 0.0005	ENGINEER/DESIGNER	
ANGLES	± 1°			
THIRD ANGLE PROJECTION			SIZE C	DRAWING NAME 09-163-08-SUMMIT
UNLESS OTHERWISE SPECIFIED DRAWINGS ARE IN INCHES			DATE 04-Nov-09	SCALE 0.250 SHEET 1 of 1

4

3

2

1