

4

3

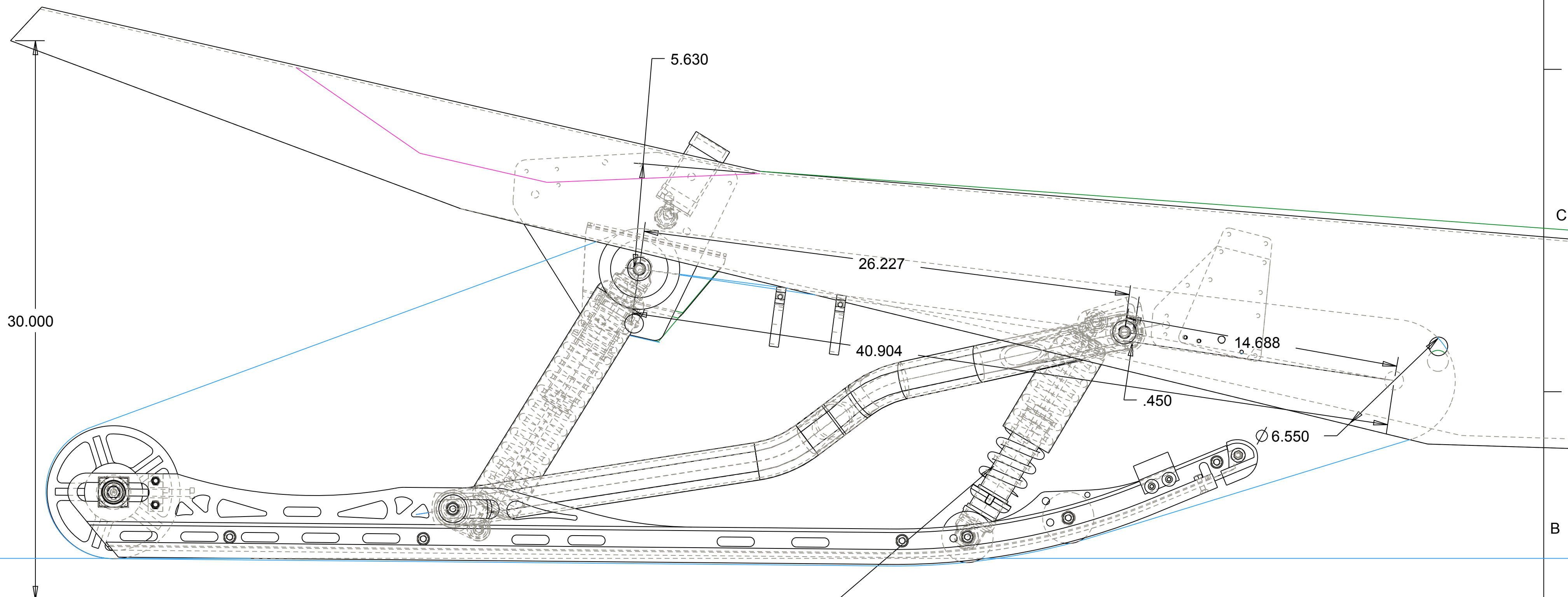
2

1

- PROPRIETARY -

THIS DOCUMENT CONTAINS CONFIDENTIAL PROPRIETARY INFORMATION THAT IS GLSV / EZ-RYDE PROPERTY. DO NOT DUPLICATE OR DISCLOSE TO A THIRD PARTY WITHOUT WRITTEN CONSENT BY GLSV / EZ-RYDE.

# 2009 162" EZRYDE MOUNTING LOCATIONS 2008 APEX WITH A DROP AND ROLL CHAIN CASE AND 7 TOOTH DRIVE



SHORTEN FRONT SHOCK 0.5"

TOLERANCES ± UNLESS NOTED		MATERIAL	QTY
	GREAT LAKES SOUND AND VIBRATION EZ - RYDE		
	47140 N. Main Street, Houghton, MI PH: 906-482-7535		
THIRD ANGLE PROJECTION 		ENGINEER/DESIGNER	CMM
SIZE C	DRAWING NAME 09-162-08-APEX-DNR-7-TOOTH		
UNLESS OTHERWISE SPECIFIED DRAWINGS ARE IN INCHES	DATE 06-Nov-08	SCALE 0.250	SHEET 1 of 1