

4

3

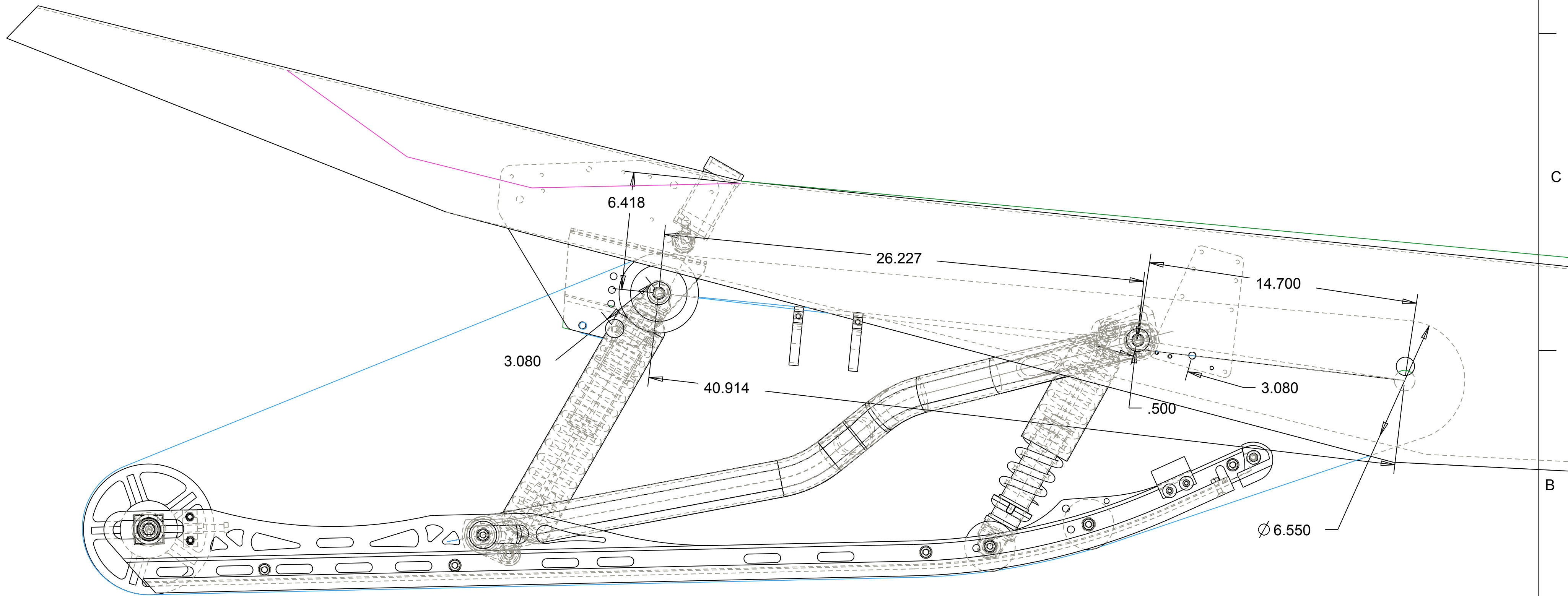
2


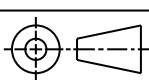
1

- PROPRIETARY -

THIS DOCUMENT CONTAINS CONFIDENTIAL PROPRIETARY INFORMATION THAT IS GLSV / EZ-RYDE PROPERTY. DO NOT DUPLICATE OR DISCLOSE TO A THIRD PARTY WITHOUT WRITTEN CONSENT BY GLSV / EZ-RYDE.

2009 162" EZRYDE MOUNTING DIMENSIONS 2007 APEX MOUNTAIN



TOLERANCES ± UNLESS NOTED		MATERIAL		QTY
 GLSV EZ-RYDE	GREAT LAKES SOUND AND VIBRATION EZ - RYDE 47140 N. Main Street, Houghton, MI PH: 906-482-7535			CMM
	ENGINEER/DESIGNER			
THIRD ANGLE PROJECTION 	SIZE C	DRAWING NAME 09-162-07-APEX		
UNLESS OTHERWISE SPECIFIED DRAWINGS ARE IN INCHES	DATE 02-Dec-08	SCALE 0.250	SHEET	1 of 1

4

3

2

1