

4

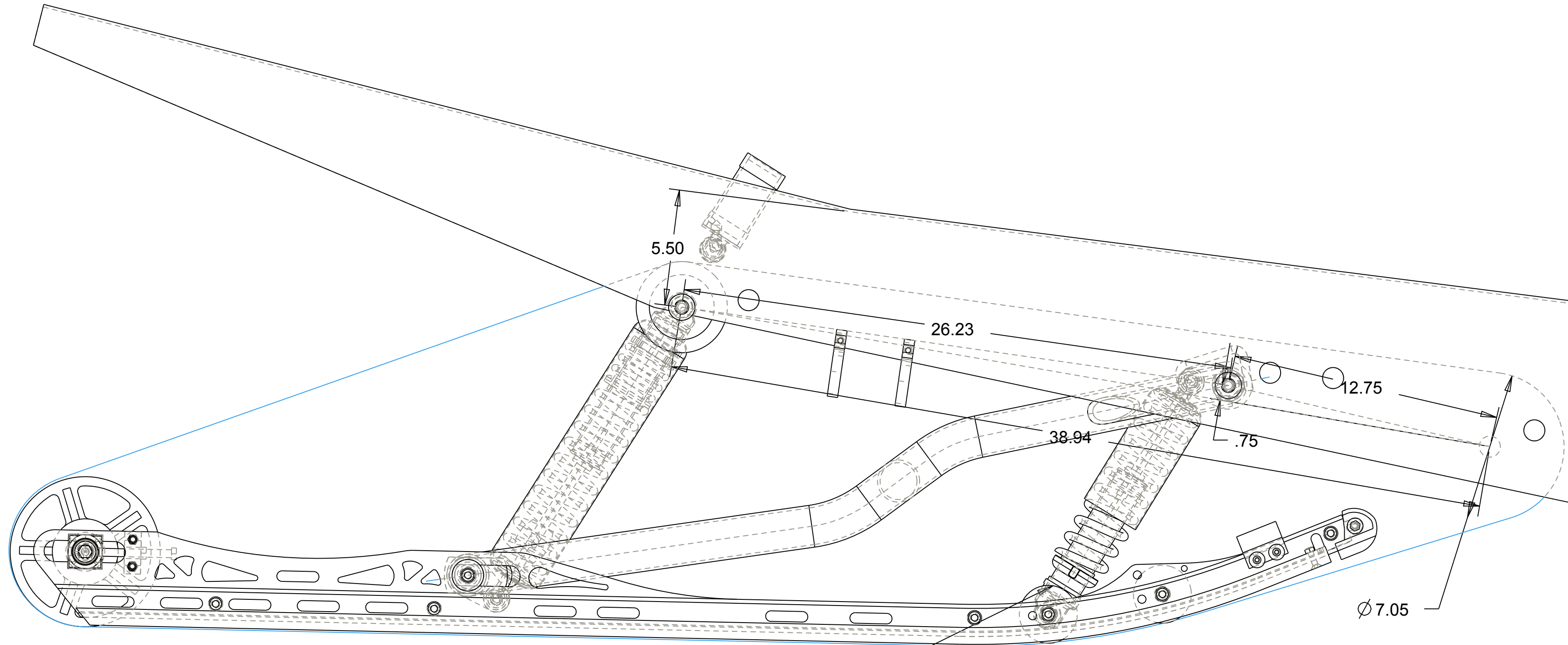
3

2



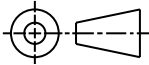
1

**- PROPRIETARY -**  
 THIS DOCUMENT CONTAINS CONFIDENTIAL PROPRIETARY INFORMATION THAT IS GLSV / EZ-RYDE PROPERTY. DO NOT DUPLICATE OR DISCLOSE TO A THIRD PARTY WITHOUT WRITTEN CONSENT BY GLSV / EZ-RYDE.

# 2009 159" EZ RYDE MOUNTING DIMENSIONS



SHORTEN FRONT SHOCK 0.5"

TOLERANCES ± UNLESS NOTED		MATERIAL		QTY
 <b>GLSV</b>  <b>EZ-R</b>		<b>GREAT LAKES SOUND AND VIBRATION</b> <b>EZ - RYDE</b> 47140 N. Main Street, Houghton, MI PH: 906-482-7535		
		ENGINEER/DESIGNER <b>CMM</b>		
THIRD ANGLE PROJECTION 	SIZE <b>C</b>	DRAWING NAME <b>09-159-04-RMK-600-151</b>		
UNLESS OTHERWISE SPECIFIED DRAWINGS ARE IN INCHES	DATE 16-Dec-08	SCALE 0.250	SHEET	1 of 1

4

3

2

1