

4

3

2

1

- PROPRIETARY -

THIS DOCUMENT CONTAINS CONFIDENTIAL PROPRIETARY INFORMATION THAT IS GLSV / EZ-RYDE PROPERTY. DO NOT DUPLICATE OR DISCLOSE TO A THIRD PARTY WITHOUT WRITTEN CONSENT BY GLSV / EZ-RYDE.

# 2009 154" EZRYDE 08 SUMMIT WITH 8-TOOTH, 2.86" PITCH SPROCKET

D

D

C

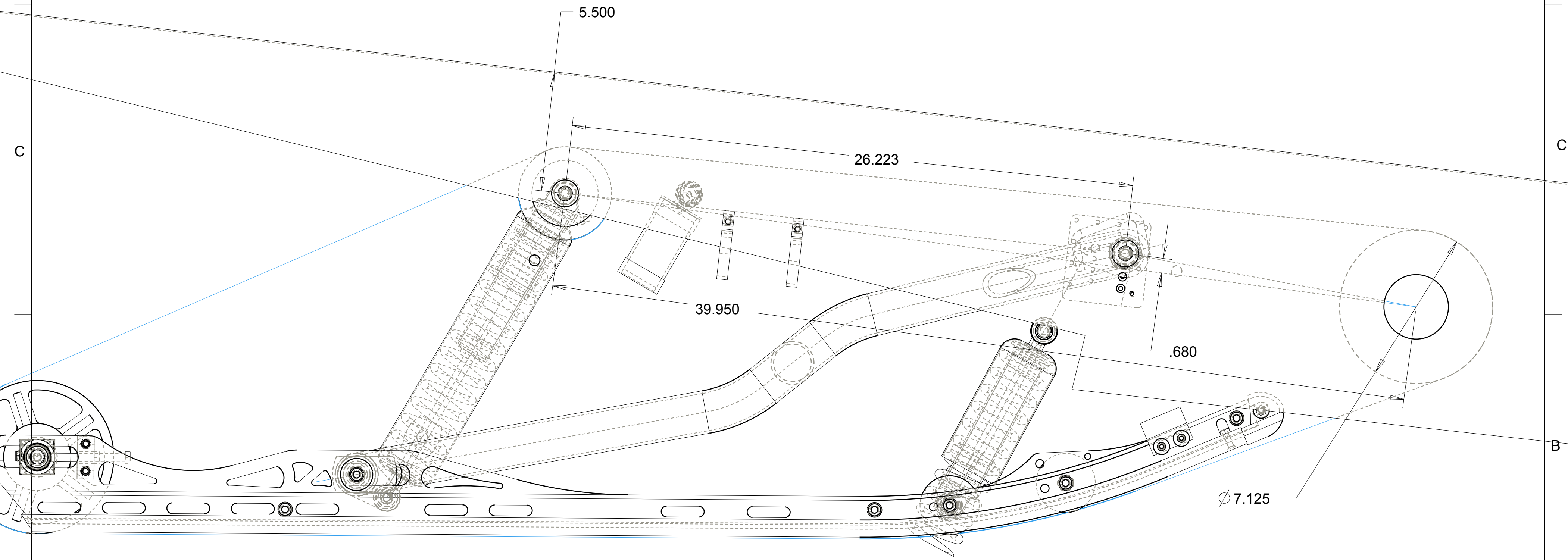
C

B

B

A

A



TOLERANCES UNLESS OTHERWISE NOTED			MATERIAL	QTY
DECIMAL PLACE	METRIC (mm)	ENGLISH (INCH)	<b>EZ-RYDE</b> 47140 N. Main Street, Houghton, MI PH: 906-482-7535	
X	± 1.5	± 0.06		
X.X	± 0.8	± 0.03		
X.XX	± 0.4	± 0.015		
X.XXX	± 0.127	± 0.005		
X.XXXX	± 0.0127	± 0.0005		
ANGLES ± 1°			ENGINEER/DESIGNER	
THIRD ANGLE PROJECTION			SIZE	DRAWING NAME
UNLESS OTHERWISE SPECIFIED DRAWINGS ARE IN INCHES			C	09-154-08-SUMMIT-154
			DATE	SCALE
			Jan-21-11	0.300
			SHEET	1 of 1

4

3

2

1