

4

3

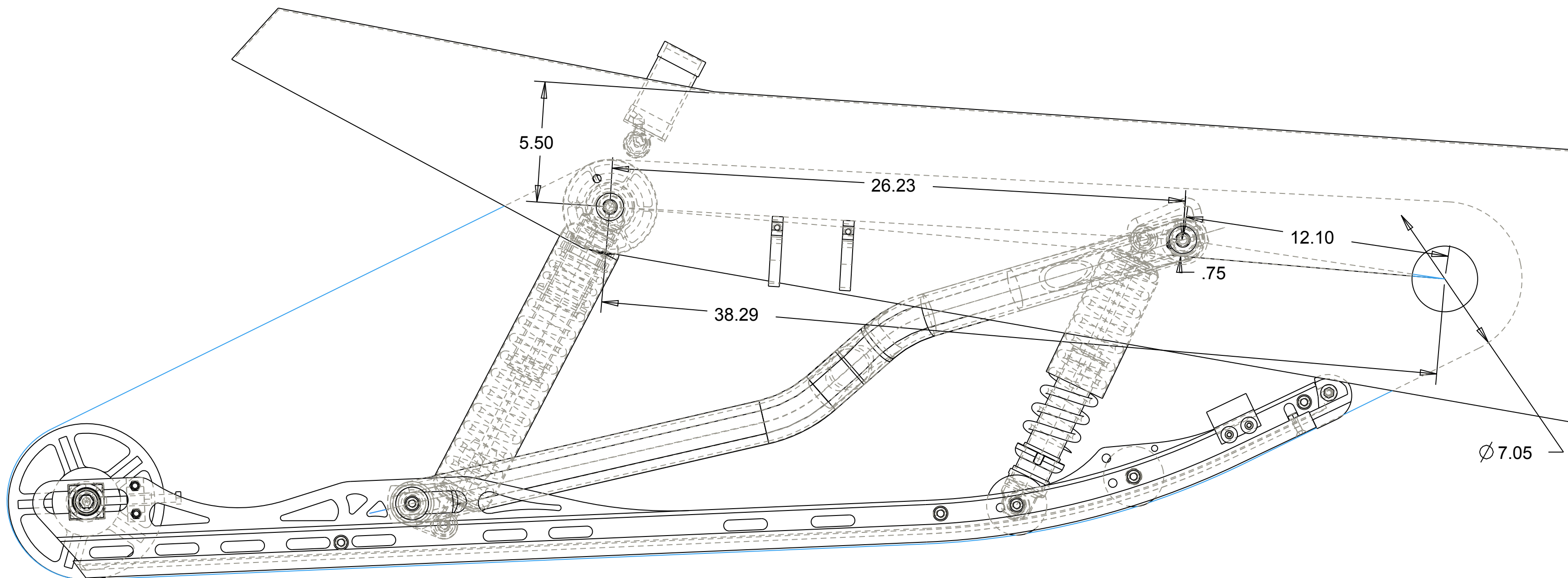
2



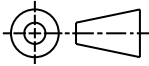
1

- PROPRIETARY -

THIS DOCUMENT CONTAINS CONFIDENTIAL PROPRIETARY INFORMATION THAT IS GLSV / EZ-RYDE PROPERTY. DO NOT DUPLICATE OR DISCLOSE TO A THIRD PARTY WITHOUT WRITTEN CONSENT BY GLSV / EZ-RYDE.

2009 151" EZ RYDE MOUNTING LOCATIONS IQ RR CHASSIS 9 TOOTH DRIVE



TOLERANCES ± UNLESS NOTED		MATERIAL		QTY
 GLSV  EZ-RYDE	GREAT LAKES SOUND AND VIBRATION EZ - RYDE			CMM
	47140 N. Main Street, Houghton, MI PH: 906-482-7535 ENGINEER/DESIGNER			
THIRD ANGLE PROJECTION 	SIZE C	DRAWING NAME 09-151-07-IQ-RR		
UNLESS OTHERWISE SPECIFIED DRAWINGS ARE IN INCHES	DATE 10-Dec-08	SCALE 0.250	SHEET 1 of 1	

4

3

2

1