

4

3

2

1

- PROPRIETARY -

THIS DOCUMENT CONTAINS CONFIDENTIAL PROPRIETARY INFORMATION THAT IS GLSV / EZ-RYDE PROPERTY. DO NOT DUPLICATE OR DISCLOSE TO A THIRD PARTY WITHOUT WRITTEN CONSENT BY GLSV / EZ-RYDE.

2009 136" EZ RYDE MOUNTING LOCATIONS 08 ATTACK

D

D

C

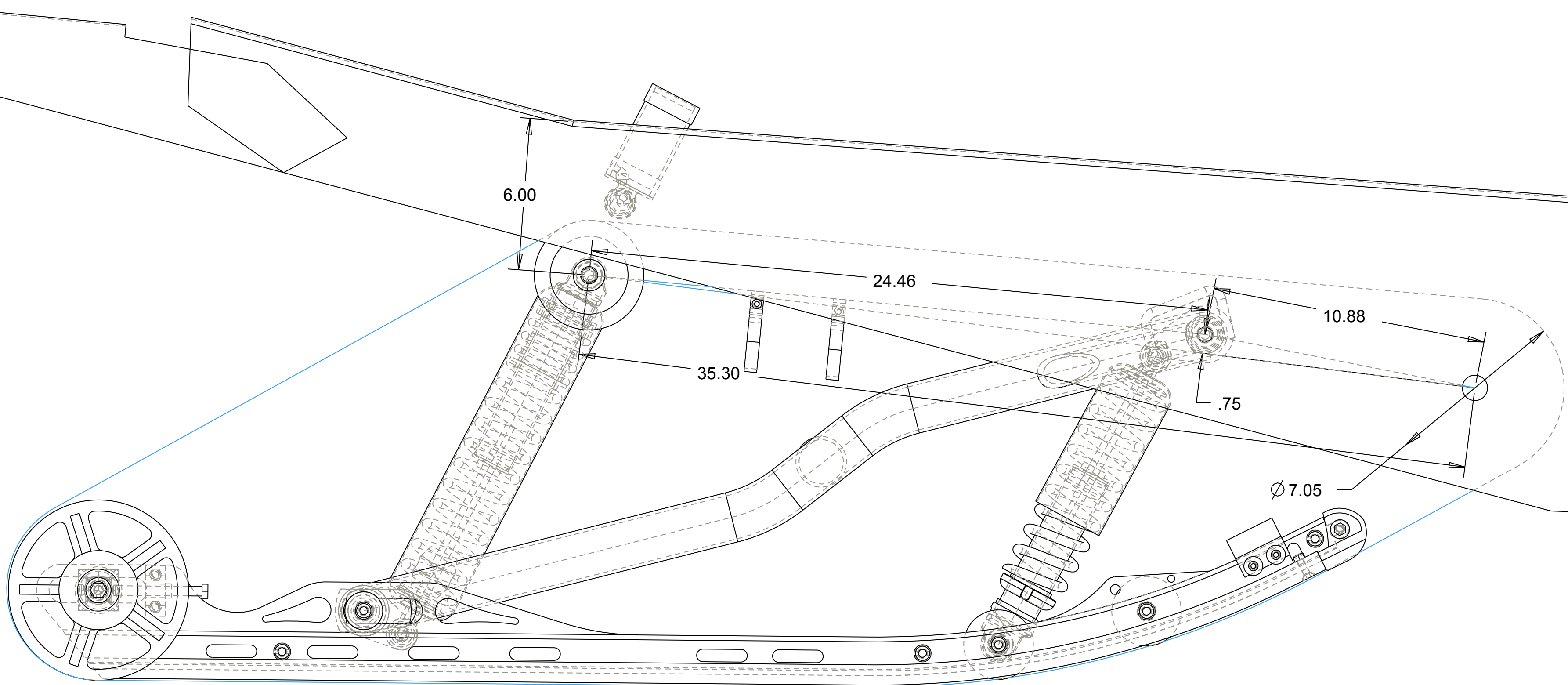
C


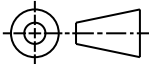
B

B

A

A



TOLERANCES ± UNLESS NOTED		MATERIAL		QTY
 GLSV EZ-RYDE		GREAT LAKES SOUND AND VIBRATION EZ - RYDE 47140 N. Main Street, Houghton, MI PH: 906-482-7535		
		ENGINEER/DESIGNER CMM		
THIRD ANGLE PROJECTION 	SIZE C	DRAWING NAME 09-136-08-ATTACK		
UNLESS OTHERWISE SPECIFIED DRAWINGS ARE IN INCHES	DATE 16-Dec-08	SCALE 0.300	SHEET	1 of 1

4

3

2

1